

TRANSFER STANDS

application



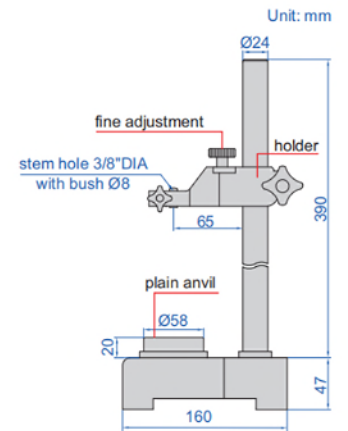
rigid construction, designed to make comparison height measurement (set zero with gauge block then measure height of workpiece) with dial indicators or digital indicators (variation of measuring force is high)



6865-300



6865-300T



- Vertical travel of holder: 335mm
- Fine adjustment range: 2mm
- Supplied with dust cover

Code	Applicable holding stem	Anvil
6865-300	3/8"DIA, $\varnothing 8$ mm	steel (hardness HRC60 ± 2), plain, flatness 1.5 μ m
6865-300T	3/8"DIA, $\varnothing 8$ mm	ceramic, plain, flatness 1.5 μ m